

Superclamp S serial with swivel jaw



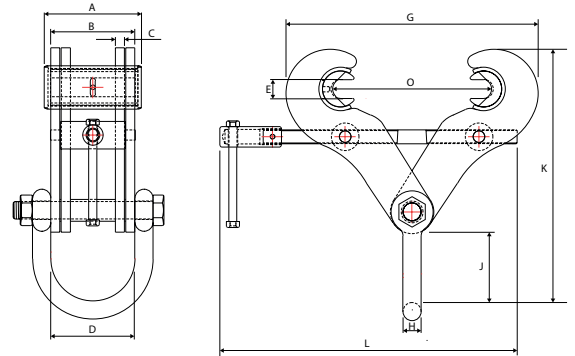
Adjustable spindle beam clamp for establishing a semi-permanent suspension point on angle steels.

Properties

- Robust design.
- Wide jaw openings.
- Easy mounting.
-

Norm:

- EN12100-1/2, EN13157, EN2018, EN2009



Alternative see type RMBCV Page 164

Type	WLL (kg)	Jaw opening (mm)	A (mm)	B (mm)	C (mm)	D (mm)	E (mm)	G (mm)	H (mm)	J (mm)	K (mm)	L (mm)	Weight (kg)	ProductId
S5	3000	89-305	134	93	6	95	25.4	348	20	102	359	410	10	3503001
S5A	3000	89-305	134	116	10	116	25.4	348	25	110	375	410	13.8	3503003
S6	5000	89-305	134	116	10	116	25.4	348	25	110	375	410	13.8	3503005
S6A	5000	89-305	134	116	12.5	116	25.4	348	25	110	375	410	15.2	3503007
S11	10.000	89-305	134	116	20	118	25.4	348	32	112	391	410	20.6	3503009

Superclamp Serial USC



Adjustable beam clamps for rail profiles.

Properties

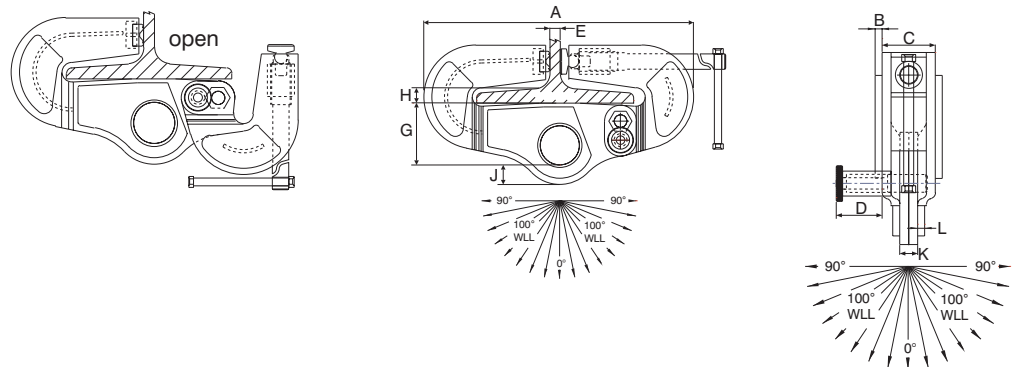
- Fitted with a special catch to prevent beams from displacement.
- With fixed suspension eyes allowing loads at any angles.
-

Application:

- To be use as a semi-permanent suspension point at angle beams.

Norm:

- EN12100-1/2, EN13157, EN2018, EN2009



Type	WLL (kg)	Jaw opening (mm)	A (mm)	B (mm)	C (mm)	D (mm)	E (mm)	G (mm)	H (mm)	J (mm)	Weight (kg)	ProductId
USC3A	3000	125-204	387	-	70	48	32	100	25.4	28	13.5	3507007
USC4	4000	125-305	518	10	70	48	32	100	25.4	28	23.5	3507009
USC5	5000	125-305	524	10	75	48	32	120	25.4	38	28.5	3507011